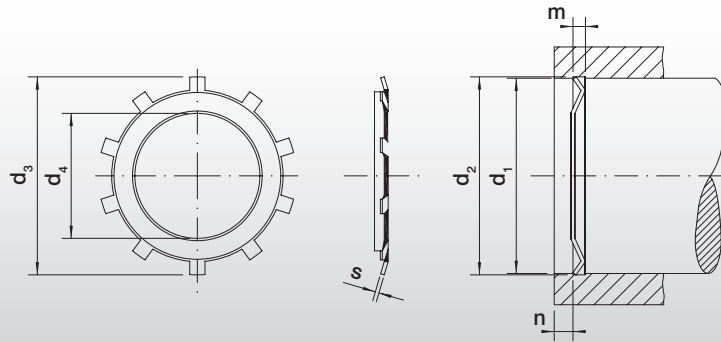




## Zackenringe für Bohrungen

Push-in fix for bores

### ZJ



Ringabmessungen / ring dimensions in mm

Bezeichnung / Description	d <sub>1</sub>	s	d <sub>3</sub>	d <sub>4</sub>	Zacken / Teeth	kg / 1000
ZJ 8	8,0	0,25	8,25	4,0	6	0,048
ZJ 10	10,0	0,25	10,20	5,0	6	0,068
ZJ 12	12,0	0,25	12,25	6,0	6	0,112
ZJ 14	14,0	0,30	14,25	8,0	6	0,172
ZJ 15	15,0	0,30	15,25	9,0	6	0,192
ZJ 16	16,0	0,30	16,30	10,0	6	0,206
ZJ 17	17,0	0,30	17,30	11,0	8	0,236
ZJ 18	18,0	0,40	18,30	10,5	8	0,380
ZJ 20	20,0	0,40	20,20	11,0	8	0,512
ZJ 22	22,0	0,50	22,35	13,0	8	0,680
ZJ 25	25,0	0,50	25,35	16,0	10	0,810
ZJ 26	26,0	0,50	26,40	17,0	10	0,856
ZJ 28	28,0	0,50	28,40	19,3	10	0,922
ZJ 30	30,0	0,50	30,40	21,0	8	1,010
ZJ 32	32,0	0,50	32,40	22,5	12	1,210
ZJ 35	35,0	0,50	35,40	25,0	12	1,320
ZJ 40	40,0	0,50	40,40	30,0	12	1,720
ZJ 45	45,0	0,50	45,40	35,0	12	1,830
ZJ 46	46,0	0,50	46,50	36,0	12	1,870
ZJ 50	50,0	0,50	50,50	39,0	12	2,160